

INSTALLATION GUIDE

Gas Rangetops



Contents

Wolf Gas Rangetops	3
Safety Instructions	4
Gas Rangetop Specifications	5
Gas Rangetop Installation	12
Service Information	14

Features and specifications are subject to change at any time without notice. Visit wolfappliance.com/specs for the most up-to-date information.

IMPORTANT NOTE: Throughout this guide, dimensions in parentheses are millimeters unless otherwise specified.

Important Note

To ensure the safe and efficient use of Wolf equipment, please take note of the following types of highlighted information throughout this guide:

IMPORTANT NOTE highlights information that is especially important.

CAUTION signals a situation where minor injury or product damage may occur if instructions are not followed.

WARNING states a hazard that may cause serious injury or death if precautions are not followed.



Gas Rangetop Installation

IMPORTANT NOTE: This installation must be completed by a qualified installer, service agency or gas supplier.

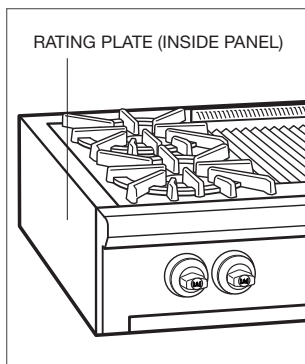
Read this entire installation guide prior to installation and save for the local inspector's reference. The homeowner should keep this installation guide for future reference.

This appliance must be installed in accordance with National Electrical Codes, as well as all state, municipal and local codes. The correct voltage, frequency and amperage must be supplied to the appliance from a dedicated, grounded circuit which is protected by a properly sized circuit breaker or time delay fuse. The proper voltage, frequency, and amperage ratings are listed on the product rating plate.

Wolf gas rangetops are manufactured for use with natural gas or LP gas. Check the product rating plate for the type of gas for your specific model. If this appliance does not correspond to your type of gas, contact your authorized Wolf dealer.

Record the model and serial numbers before installing the gas rangetop. Both numbers are listed on the product rating plate, located under the drip pan that supports the burner grates, inside the left side panel of the rangetop. Refer to the illustration below. The rating plate for French top models (except model RT484F) is located inside the right side panel.

Wolf Gas Rangetop
Model Number
Serial Number



Location of rating plate.

IMPORTANT INSTRUCTIONS

⚠ WARNING

If the information in this guide is not followed exactly, a fire or explosion may result, causing property damage, personal injury or death.

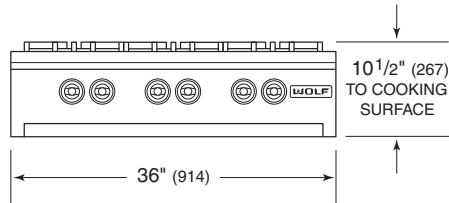
- Installation and service must be performed by a qualified installer, service agency or the gas supplier.
- Warranty service must be performed by a Wolf authorized service center.
- Do not store or use gasoline or other flammable vapors and liquids in the vicinity of this or any other appliance.
- A ventilation hood is recommended for use with the Wolf gas rangetop.
- In Massachusetts: Installations and repairs must be performed by a qualified or licensed contractor, plumber or gasfitter qualified or licensed by the state, province, or region where this appliance is being installed. Only use gas shut-off valves approved for use within the state, province, or region where this appliance is being installed. A flexible gas connector, when used, must not exceed 3' (.9 m).

WHAT TO DO IF YOU SMELL GAS:

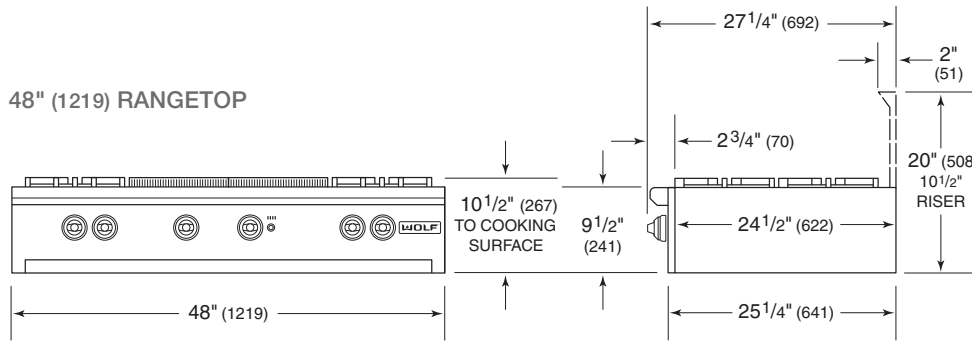
- Do not try to light any appliance.
- Do not touch any electrical switch.
- Do not use any phone in your building.
- Immediately call your gas supplier from a neighbor's phone. Follow the gas supplier's instructions.
- If you cannot reach your gas supplier, call the fire department.

Gas Rangetops

36" (914) RANGETOP



48" (1219) RANGETOP



SIDE VIEW—ALL RANGETOPS

Installation Requirements

⚠ WARNING

Failure to locate the rangetop without the proper clearances will result in a fire hazard.

IMPORTANT NOTE: Caution must be used in planning the proper installation of the Wolf gas rangetop to avoid fires or damage to adjacent cabinetry or kitchen equipment. Follow all minimum clearances to combustible surfaces shown in the installation illustration for your specific model on the following pages.

IMPORTANT NOTE: In non-island applications, a 10¹/₂" (267) riser is required when installing a gas rangetop against a combustible surface.

Risers and other accessories are available through your authorized Wolf dealer. To obtain local dealer information, visit the find a showroom section of our website, wolfappliance.com.

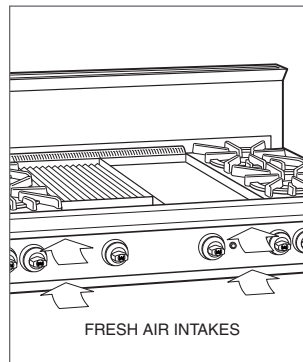
VENTILATION

The gas rangetop must have an adequate supply of fresh air to assure proper combustion and ventilation. The location of the rangetop should be away from strong draft areas, such as windows, doors and strong heating vents or fans. Do not obstruct the flow of air.

Fresh air intakes are located below the bullnose and control knobs. Never block the fresh air intakes, as they provide air required for proper operation. Refer to the illustration below.

Due to the high volume of ventilation air required, a source of outside replacement air is recommended. This is especially important for tightly sealed and insulated homes. A qualified HVAC contractor should be consulted.

It is recommended that you use a Wolf pro ventilation hood or hood liner with the Wolf gas rangetop. Refer to the Wolf ventilation guide.



Fresh air intakes.

Electrical Requirements

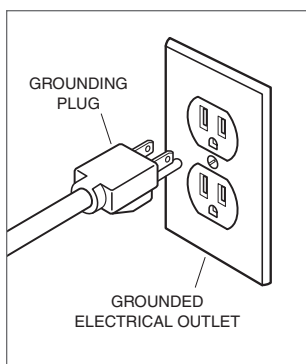
⚠ WARNING

ELECTRICAL SHOCK HAZARD: Plug into a grounded 3-prong outlet. Do not remove ground prong. Do not use an adapter. Failure to follow these instructions can result in electric shock, fire or death.

The Wolf gas rangetop requires a 110/120 V AC, 50/60 Hz electrical supply to operate the electronic ignition system. The service should have its own 15 amp circuit breaker. A ground fault circuit interrupter (GFCI) is not recommended and may cause interruption of operation.

The power cord is equipped with a 3-prong, grounding plug for protection against shock hazard. The power cord must be plugged into a mating 3-prong grounded outlet, grounded to conform with the National Electrical Code, ANSI/NFPA 70 latest edition, or Canadian Electrical Code (CSA) and all local codes and ordinances. Refer to the illustration below.

IMPORTANT NOTE: This appliance must be properly grounded to avoid electrical shock hazard. Do not ground to a gas pipe.



Electrical ground.

IMPORTANT NOTE: You must follow all National Electrical Code regulations. In addition, be aware of local codes and ordinances when installing your service.

WIRING DIAGRAM

The wiring diagram covering the control circuit is located under the drip pan that supports the burner grates, inside the left side panel of the rangetop. The wiring diagram for French top models (except model RT484F) is located inside the right side panel.

Gas Supply Requirements

⚠ WARNING

EXPLOSION HAZARD: Use a certified gas supply line and install a gas shut-off valve. Securely tighten all gas connections. Failure to follow these instructions can result in explosion, fire or death.

IMPORTANT NOTE: The gas rangetop must be connected to a regulated gas supply.

IMPORTANT NOTE: This installation must conform with local codes and ordinances. In the absence of local codes, installations must conform with the American National Standard, National Fuel Gas Code.

The gas rangetop is equipped for use with natural or liquid propane (LP) gas. Conversions are required in order for appliances designed for one gas to be operated with the other gas. Such conversions must be performed by a Wolf authorized service center. Make sure your gas rangetop is correctly adjusted for the type of gas being used.

The product rating plate has information on the type of gas that should be used. If this information does not agree with the type of gas available, check with the local gas supplier. The rating plate is located under the drip pan that supports the burner grates, inside the left side panel of the rangetop. Refer to the illustration below. The rating plate for French top models (except model RT484F) is located inside the right side panel.

A gas supply line of $\frac{3}{4}$ " rigid pipe must be provided to the rangetop. If local codes permit, a certified, 3' (.9 m) long, $\frac{1}{2}$ " or $\frac{3}{4}$ " ID flexible metal appliance connector is recommended to connect the rangetop to the gas supply line. The pipe coming out the back of the rangetop has $\frac{1}{2}$ " female threads. Pipe joint compounds, suitable for use with natural or LP gas should be used.

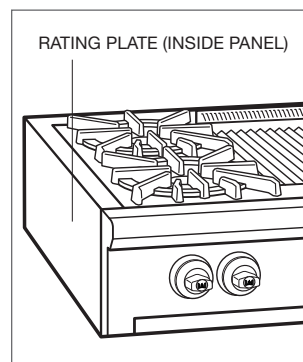
Locate the gas supply within the shaded area shown in the illustration for your specific model on the following pages.

IMPORTANT NOTE: The supply line must be equipped with an approved external gas shut-off valve located near the rangetop in an accessible location. Do not block access to the shut-off valve. Refer to the illustration below.

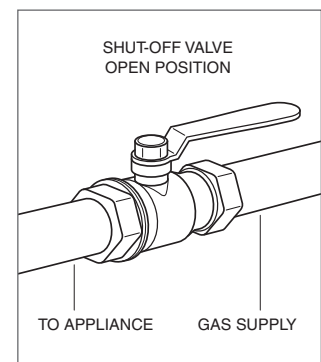
Wolf natural and LP gas rangetops will function up to 10,250' (3124 m) in altitude without any adjustment. If the installation is above 10,250' (3124 m), contact your Wolf dealer for a high altitude conversion kit.

⚠ CAUTION

Before connecting the gas supply, make sure all valves are in a closed position. Do not connect the gas supply to an appliance that shows any sign of damage.



Location of rating plate.



Gas shut-off valve.

Gas Supply Requirements

GAS MANIFOLD PRESSURE

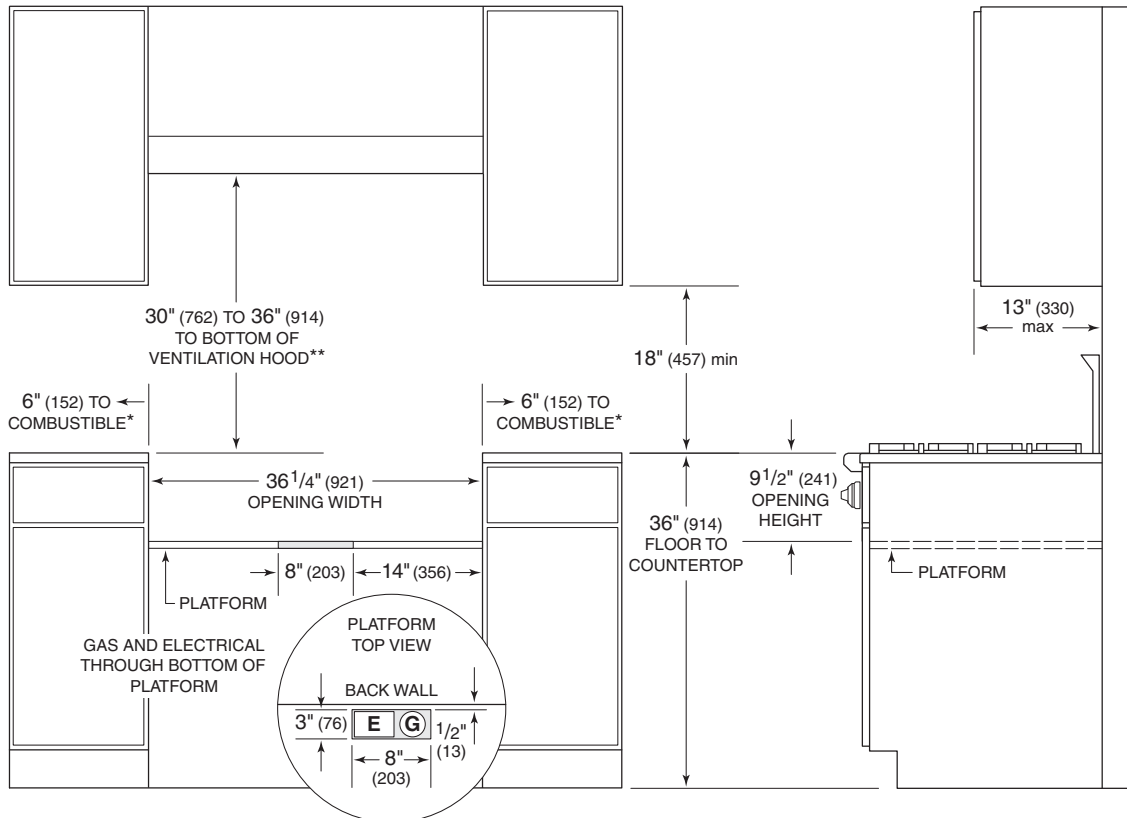
- **Natural Gas:** Standard orifices are set for 5" (12.5 mb) WC. A natural gas pressure regulator is installed.
- **LP Gas:** Standard orifices are set for 10" (25 mb) WC. An LP gas pressure regulator is installed.
- **Gas Supply Pressure:** The maximum gas supply pressure to the regulator should never exceed 14" (34.9 mb) WC; .5 psi (3.5 kPa) for natural and LP gas. The minimum line pressure is 7" (17.5 mb) WC for natural gas and 11" (27.4 mb) WC for LP gas.
- **Gas Pressure Regulator:** To control and maintain a uniform gas pressure in the gas manifold, the unit must be used with a gas pressure regulator. The burner orifices, etc. are sized for the gas pressure delivered by the supplied regulator. Do not remove the regulator.

⚠ CAUTION

The maximum gas supply pressure to the regulator should never exceed 14" (34.9 mb) WC; .5 psi (3.5 kPa).

36" (914) Gas Rangetop

INSTALLATION



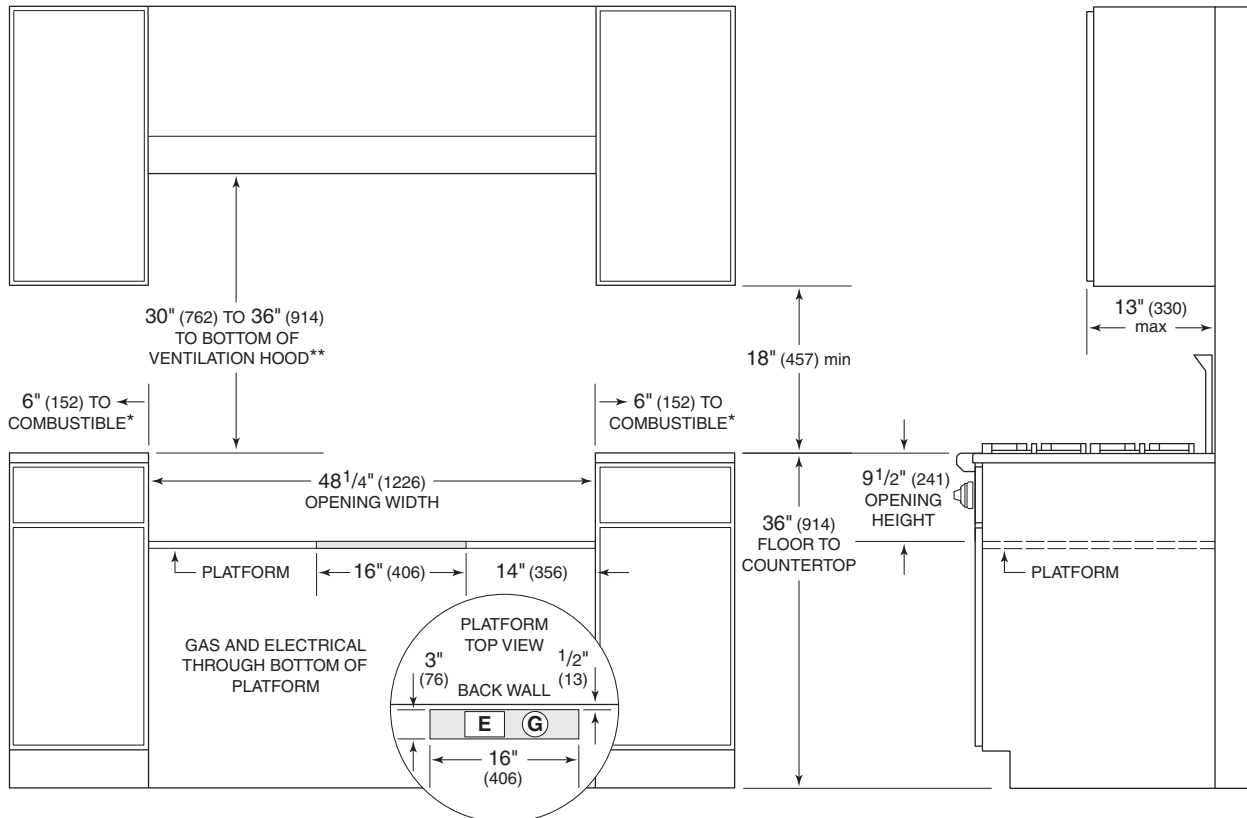
*Minimum clearance from rough opening to combustibles up to 18" (457) above countertop.

**36" (914) minimum clearance, 44" (1118) for charbroiler, from countertop to combustibles without ventilation hood.

NOTE: For island installations, 12" (305) minimum clearance from back of rangetop to combustibles rear wall above countertop.

48" (1219) Gas Rangetop

INSTALLATION



*Minimum clearance from rough opening to combustible materials up to 18" (457) above countertop.

**36" (914) minimum clearance, 44" (1118) for charbroiler, from countertop to combustible materials without ventilation hood.

NOTE: For island installations, 12" (305) minimum clearance from back of rangetop to combustible rear wall above countertop.

Install the Rangetop

Prepare the finished opening for the rangetop according to dimensions shown in the illustration for your specific model on the previous pages. The platform must be able to support 250 lbs (113 kg) for a 36" (914) rangetop and 300 lbs (136 kg) for a 48" (1219) rangetop. The platform must include a cut-out at the center rear for electrical and gas supply connections.

IMPORTANT NOTE: The platform must be level to ensure that the cooking surface is level.

Remove and discard all packing materials from the rangetop.

If your installation requires a riser, it must be attached to the rangetop before installation. Refer to the installation instructions packaged with the riser.

Position the rangetop on the platform. Electrical and gas supply connections should be made before the rangetop is placed in its final position.

Gas Supply Connection

⚠ CAUTION

Before connecting the gas supply, make sure all valves are in a closed position.

IMPORTANT NOTE: All connections to the gas piping must be wrench-tightened. Do not make connections too tight, this may crack the regulator and cause a gas leak. Do not allow the pipes to turn when tightening fittings.

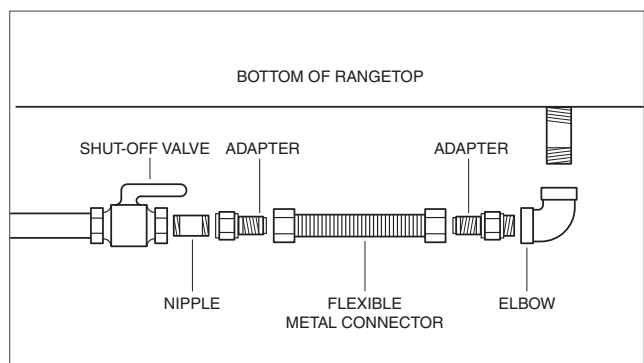
Assemble the flexible metal connector from the gas supply pipe to the gas pressure regulator. Determine the fittings required depending on the size of your gas supply line, flexible metal connector and shut-off valve. Refer to the illustration below. If a flexible metal connector is used, be sure the tubing is not kinked. Open the shut-off valve in the gas supply line. Wait a few minutes for the gas to move through the line.

GAS LEAK TESTING

Brush a liquid detergent solution onto all gas connections to test for leaks. Bubbles around connections will indicate a gas leak. If a leak appears, close the gas shut-off valve and adjust connections. Check for leaks again. Clean off the detergent solution.

⚠ WARNING

Never test for a gas leak with a match or other flame.



Gas supply line connection.

Verify Rangetop Operation

IMPORTANT NOTE: Prior to operating the rangetop, be sure to read the entire Wolf gas rangetops use & care guide included with the rangetop for important safety, service and warranty information.

SURFACE BURNERS

Place the burner parts on each burner base and position the burner grates before lighting.

Surface burners of the gas rangetop use electronic igniters. When the control knob is pushed in and turned to the HIGH position, the system creates a spark to light the burner. This sparking continues until the electronic ignition senses a flame.

To check operation of the surface burners, push in and turn each control knob to the HIGH position. The flame should light within four seconds.

If the burners do not light properly, turn control knobs to the OFF position. Check that burner parts are in the proper position. Make sure electricity is being supplied to the rangetop and that the gas shut-off valve is in the open position. Check operation again, waiting at least five minutes; if the burners still do not light properly, contact a Wolf authorized service center.

IMPORTANT NOTE: Initial lighting of the surface burners may take slightly longer, as air in the system must be purged before gas can be supplied to the burner.

Rangetop Removal

▲ WARNING

Unplug the rangetop and disconnect the gas supply line before removing.

If removal of the sealed burner rangetop is necessary for cleaning or service, shut off the gas supply. Unplug the rangetop and disconnect the gas supply line. Remove the rangetop. Reinstall in the reverse order and be sure to check gas connections for leaks.

Refer to the Wolf gas rangetops use & care guide for cleaning recommendations.

Troubleshooting

IMPORTANT NOTE: If the gas rangetop does not operate properly, follow these troubleshooting steps:

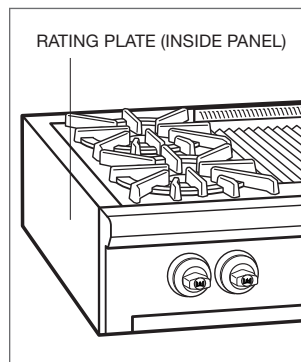
- Verify that electrical power is being supplied to the rangetop.
- If nuisance clicking occurs when power is supplied to the rangetop, check the electrical outlet for reverse polarity.
- Check the gas supply connections to ensure that the installation has been completed correctly.
- Check that the gas supply shut-off valve is in the open position.
- If the rangetop still does not operate properly, contact a Wolf authorized service center. Do not attempt to repair the rangetop yourself. Wolf is not responsible for service required to correct a faulty installation.

Service Information

If service is necessary, maintain the quality built into your gas rangetop by calling a Wolf authorized service center.

To obtain the name and number of a Wolf authorized service center, check the contact & support section of our website, wolfappliance.com or call Wolf customer service at 800-222-7820.

When calling for service, you will need the model and serial numbers of the gas rangetop. Both numbers are listed on the product rating plate, located under the drip pan that supports the burner grates, inside the left side panel of the rangetop. Refer to the illustration below. The rating plate for French top models (except model RT484F) is located inside the right side panel.



Location of rating plate.



The information and images in this guide are the copyright property of Wolf Appliance, Inc. Neither this guide nor any information or images contained herein may be copied or used in whole or in part without the express written permission of Wolf Appliance, Inc. ©Wolf Appliance, Inc. all rights reserved.

Wolf, Wolf & Design, Wolf Gourmet, W & Design and the color red as applied to knobs are registered trademarks and service marks of Wolf Appliance, Inc. Sub-Zero, Sub-Zero & Design, Dual Refrigeration, Constant Care and The Living Kitchen are registered trademarks and service marks of Sub-Zero, Inc. (collectively, the "Company Marks.") All other trademarks or registered trademarks are property of their respective owners in the United States and other countries.



WOLF APPLIANCE, INC. P. O. BOX 44848 MADISON, WI 53744 WOLFAPPLIANCE.COM 800.222.7820

816983 REV-A

9/2010

